



FARADAY CUP – MODEL FC-50

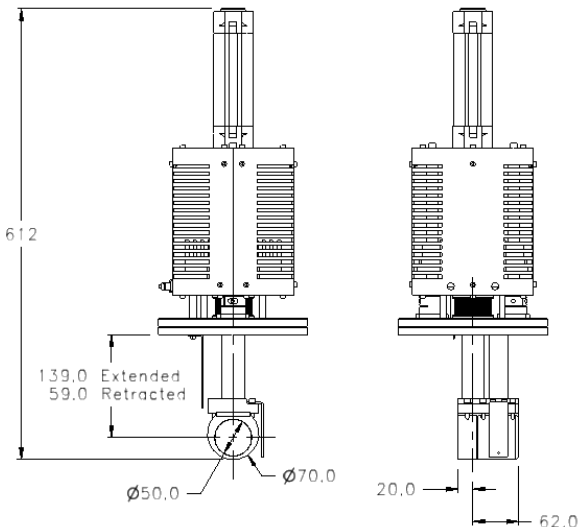
Pneumatically-Actuated Faraday Cup For Ultra High Vacuum Applications



- Measures low-energy charged-particle beam currents (< 1 MeV) up to 50W
- Secondary-electron suppression electrode
- Air-cooled for simplicity
- Beam current read back
- End stop limit switches

SPECIFICATIONS: Faraday Cup, FC-50

Maximum Beam Power	50W
Maximum Travel	80 mm
Cup Inner Diameter	50 mm
Flange	DN 150CF (O.D. 203mm)
Electron Suppression	Bias Ring, 500V Max MHV Connector
Cooling	Air
Current Read back	BNC Connector
Particle Kinetic Energy Range	< 1 MeV
Pneumatic Control	3.5 – 7.0 Bar



Notes:

1. Expansion/retraction distance is configurable for customer's application.
2. D-Pace can provide a custom vacuum box.
3. D-Pace can provide a controller for current-to voltage conversion, limit-switch feedback, and pneumatic control.
4. D-Pace reserves the right to update specifications as part of its ongoing product improvement program.